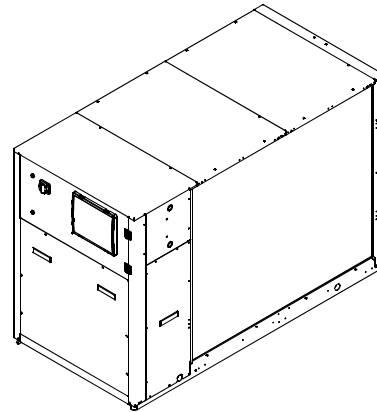
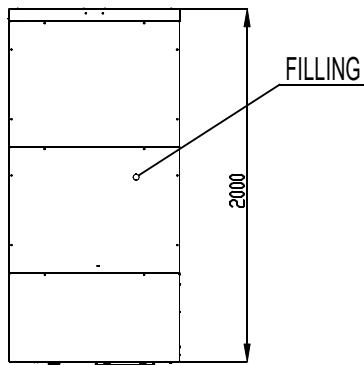
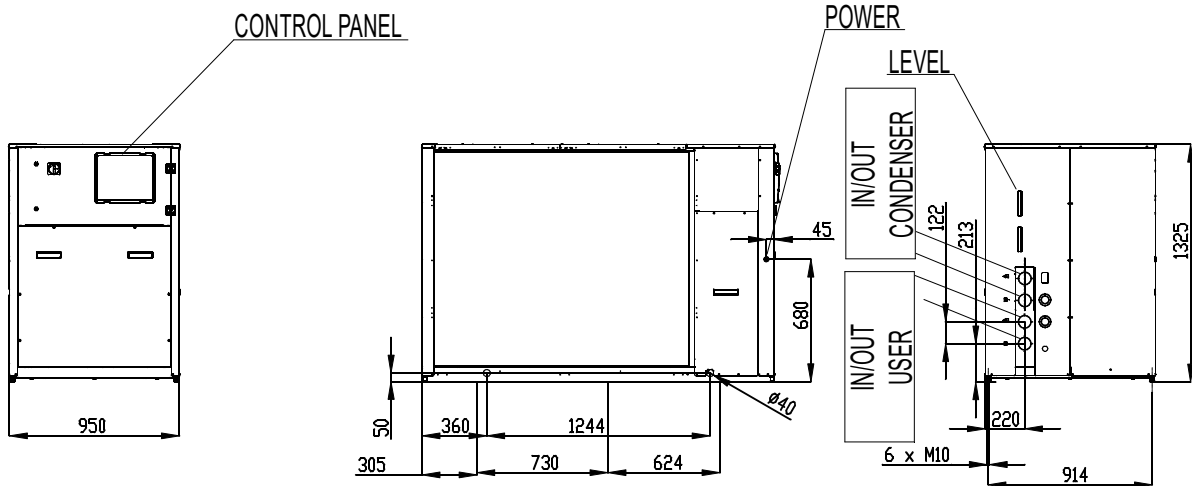


All rights reserved by Euro Cold S.r.l Modena (Italy). These drawings and specifications are the property of Euro Cold S.r.l. and shall not be reproduced, copied or used directly or indirectly for any purpose without the express written permission of EURO COLD S.r.l

TECHNICAL DATA ARE SUBJECT TO CHANGE WITHOUT PRIOR NOTICE AND OVERALL DIMENSION CAN CHANGE DUE TO THE REQUESTED ACCESSORIES.

FRAME WCW-D4-0V



HYDRAULIC CONNECTION SIZES	
ACW-MP 450/580/620	
IN user	G.2"
OUT user	G.2"
IN cond.	G.1"1/4
OUT cond.	G.1"1/4

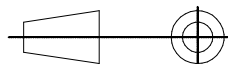
Material: Thickness: Z Y X W V U T S R Q P O N M L K J I H G F E D C B A

EDITION

EURO COLD srl
 Tel. +39.059.817.8138
 www.eurocold.it

Scale :

Designed:



Date: 08-01-2024

Sign: C.M.

Title:

Weight (g)

Model number:

Code:

Q.ty:

Drawing number:

WCW-D4-0V_REV02